

EU Declaration of Conformity (Doc)

We



Company name: ITALTECNICA s.r.l.
Postal address: v.le Europa 31 – 35020 – Tribano (PD) Italy
Telephone number: +39 049 9585388
E-mail address: italtecnica@italtecnica.com

declare that the DoC is issued under our sole responsibility and belongs to the following products

Product(s): Inverter for 3-phase water pumps

Type(s): SIRIO

Object of the declaration/identification:

EXTERNAL VIEW	INTERNAL VIEW (optional)
	

The object of the declaration described above is in conformity with the relevant Union harmonization legislation:

EMC Directive (EMCD) 2014/30/EU

Low Voltage Directive (LVD) 2014/35/EU

Reduction of Hazardous Substances (ROHS) 2011/65/EU

The following harmonized standards have been applied:

EN 60730-1:2011

EN 60730-2-6:2008

EN 61000-6-2:2005

EN 61000-6-4:2007+A1:2011

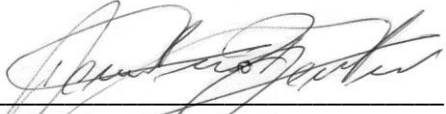
EN 50581:2012

TRIBANO (PD)

20/04/2016

Place of issue

Date of issue


Demetrio Bertazzo – General Manager