

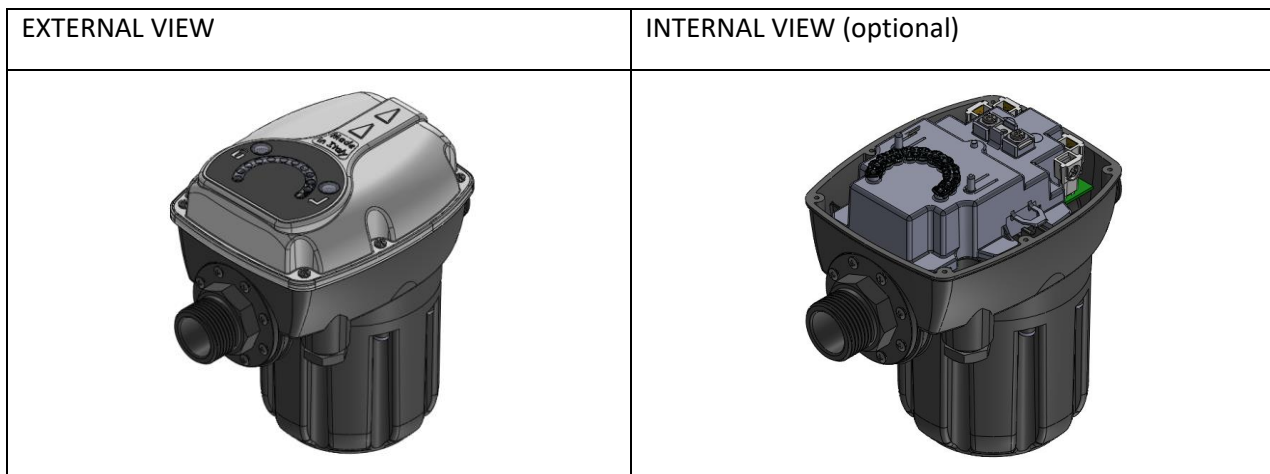
EU Declaration of Conformity (Doc)

We

Company name: ITALTECNICA s.r.l.
Postal address: v.le Europa 31 – 35020 – Tribano (PD) Italy
Telephone number: +39 049 9585388
E-mail address: italtecnica@italtecnica.com

declare that the DoC is issued under our sole responsibility and belongs to the following products

Product(s): Digital pressure and flow controllers for single phase water pumps
Type(s): BRIO TANK DIGITAL
Object of the declaration/identification:




The object of the declaration described above is in conformity with the relevant Union harmonization legislation:

EMC Directive (EMCD) 2014/30/EU
Low Voltage Directive (LVD) 2014/35/EU
Reduction of Hazardous Substances (ROHS) 2011/65/EU

The following harmonized standards have been applied:

EN 60730-1:2011 EN 60730-2-6:2016 EN 62233:2008
EN 61000-6-1:2007 EN 61000-6-3:2007+A1:2011
EN IEC 63000:2018

TRIBANO (PD) 15/11/2024
Place of issue Date of issue


Demetrio Bertazzo – General Manager